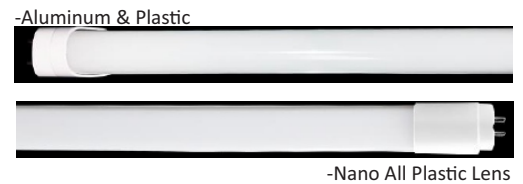




Applications: home, office, restaurant, hotel, stores, supermarket, mall, bus, train, warehouse, parking lots etc;

The LED T8 Tube with internal driver is used for general illumination for homes, offices, restaurants, hotels, malls, buses, trains, warehouses, parking lots, or wherever accent lighting is required. The Flexibility and Safety you Desire, varieties of color temperature and wattage. Energy savings up to 70%. No infrared rays, no ultraviolet radiation and no thermal effect. Works only on non-shunted sockets. Soft and wide light emitting. Minimize labor and recycling costs. Special circuit design, avoiding the single broken LED influence problem. UL Type B. Instant start without flickering, humming, or RF interference. High efficiency constant current drive system. Heat protection system allows performance under unstable voltage.



Common Technical Data

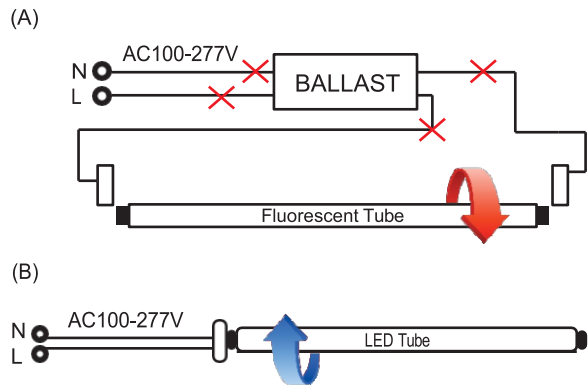
	4ft			5ft	6ft	8ft
Wattage	12W	15W	18W	22W	30W	40W
Lumens	1500lm	1875lm	2250lm	2750lm	3875lm	5000lm
Kelvin Color Temperature	4000K/5000K					
Input Voltage	AC 100-277V					
CRI	≥ 80					
Rated Life hours	Estimated >50,000 Hours					
Temperature/ Power Factor	suitable for operation in -20°C to 50°C More than 0.90					
Housing	Aluminum/PC , Nano All Plastic Lens					
PC diffuser	Clear/Striped/Frosted					

Shop now



Installation Instruction

1. Turn OFF power to the fixture at the breaker panel before installation.
2. Open the diffuser from the light fixture.
3. Remove the fluorescent tubes and dispose of these properly as they may contain mercury.
4. Cut wires as shown on diagram (A).
5. Make new wire connection to the branch circuit as shown on diagram (B).
6. Replace the cover over the wiring channel.
7. Install the LED tubes and close the diffuser.
8. Switch ON power to the fixture at the breaker panel



Dimantion

